

TT-8200 SMARTBOX® Tabletop Chamber

The TT-8200 Tabletop Chamber automates a three-stage euthanasia cycle at the push of a button: charging, dwell time, and exhaust. At the start of a cycle, the chamber lid automatically locks and will not unlock until CO₂ evacuation is complete. The clear acrylic construction provides full visibility and a top loading lid promotes easy cage access. The airtight, gasket-sealed lid prevents gas leakage during operation. The manifold design ensures even gas distribution. The system accommodates the full range of rodent cages from all manufacturers.

- *Compliant with AVMA Guidelines*
- Accommodates up to 10 shoebox mouse cages or 2 standard rat cages
- Automation virtually eliminates operator error
- Lid automatically locks during operation
- After starting chamber, the technician is free to do other work
- Double throw switch allows for two different treatment times
- Programs can be customized based on facility requirements
- Operates at a fixed flow rate based on the external CO₂ source



Inside Dimensions: 27.5”L x 19”W x 13.75”H

Required Accessories (choose one):



EA-285
(use with cylinders)

or

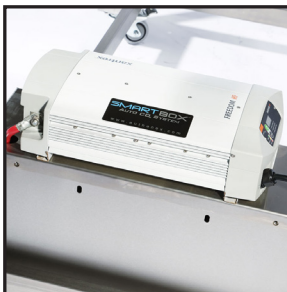


1050-A1-BR
(use with piped-in gas)

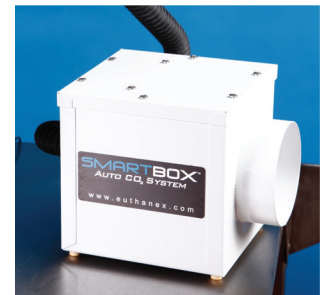
TT-8200 includes:

SMARTBOX® Side Control Box, Tabletop Chamber, Exhaust Blower, 8' of 4" Exhaust Tubing, two 4" Hose Clamps

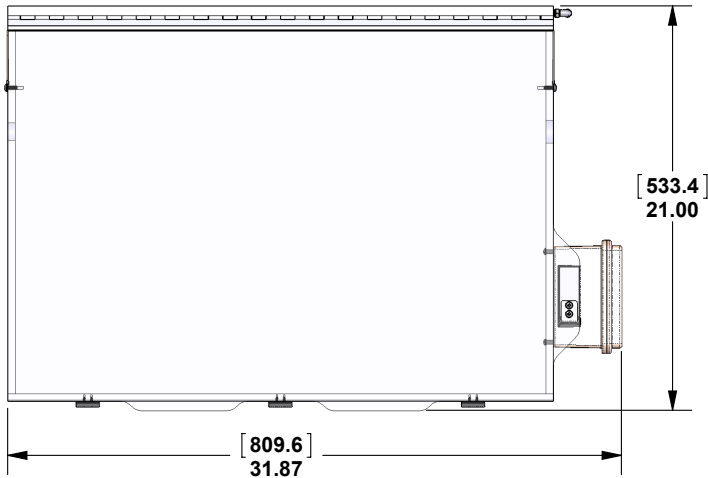
Accessories



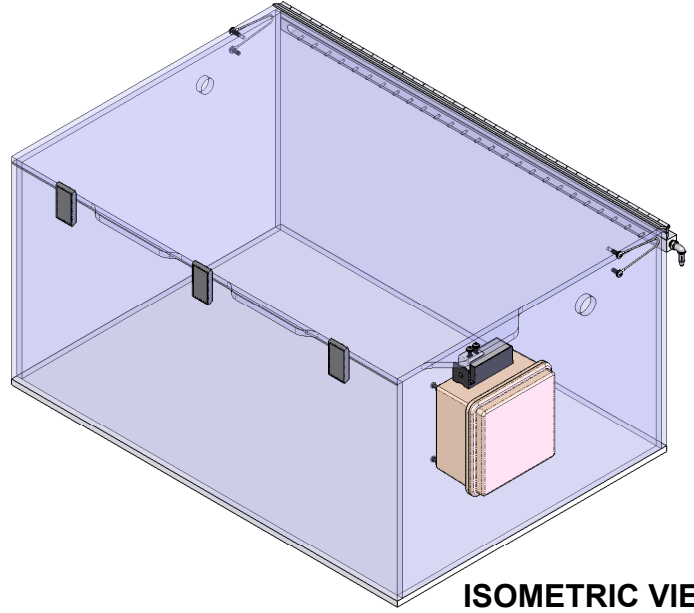
EA-1040 Mobile Battery Back-Up



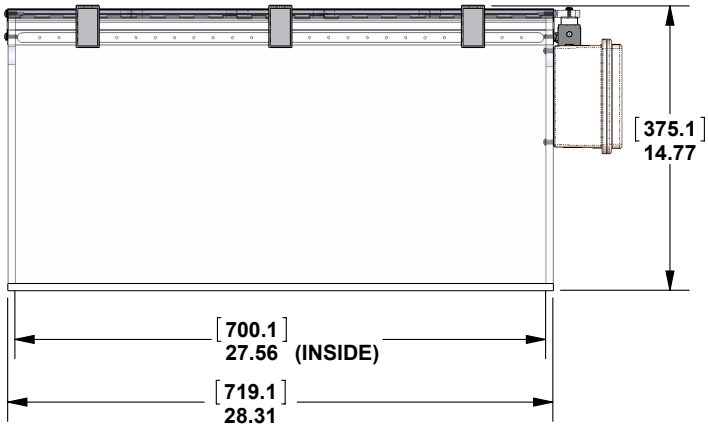
Exhaust Blower included



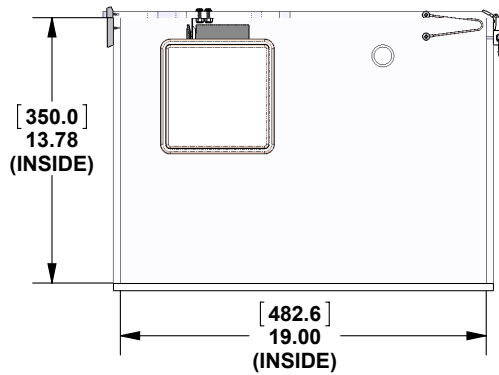
TOP VIEW



ISOMETRIC VIEW



FRONT VIEW



SIDE VIEW

METRIC DIMENSIONS IN [] ARE IN MM.

Inside Chamber Dimensions: 27.5"L x 19"W x 13.75"H

REQUIREMENTS

Electric	110 VAC 15 AMP
Flow Rate	35 LPM or 75 CFH
4" Duct	20 CFM